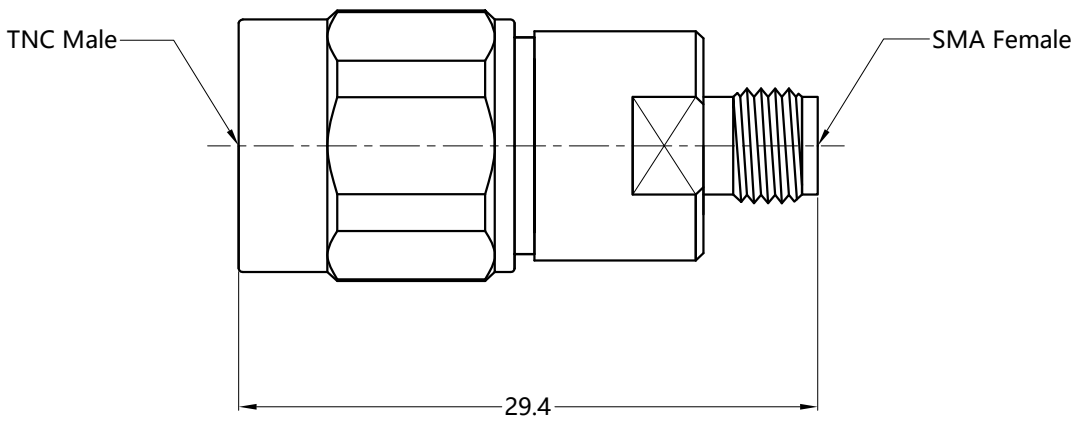


REV.	DESCRIPTION	ECN NO.	NAME	DATE
0	INITIAL RELEASE	N/A	QY	2021-04-20



1.0 MATERIAL SPECIFICATIONS

Piece Parts	Materials	Plating
Body	Stainless steel	Passivation
Contact Pin	Beryllium copper	Gold
Insulator	PEI&PTFE	N/A

2.0 ELECTRICAL SPECIFICATIONS

Impedance	50 Ω
Frequency range	DC ~ 11GHz
Voltage rating	335V (rms)
Dielectric withstanding voltage	500V (DC)
Insulation resistance	5000MΩ
Insertion loss	≤0.05xSQRT(F GHz)dB
VSWR	≤1.15

3.0 MECHANICAL SPECIFICATIONS

Force to engage and disengage	N/A
Center contact retention force	N/A
Recommended coupling torque	8-12 in-lbs(TNC)
Coupling nut retention force	100 lbs(TNC)
Durability	500 Cycles

4.0 ENVIRONMENTAL SPECIFICATIONS

RoHS & REACH	Compliant
Temperature range	-40°C~+85°C

CUSTOMER OUTLINE DRAWING

<p>PROPRIETARY THE RIGHTS OF TECHNICAL INFORMATION PROVIDED ON THIS DRAWING BELONGS TO OUR COMPANY. CONTENTS CANNOT BE DISTRIBUTED TO OTHER THIRD-PARTY COMPANIES WITHOUT PERMISSION.</p>	<p>UNLESS OTHERWISE SPECIFIED: 1. REMOVE ALL BURRS. 2. BREAK CORNERS & EDGES 0.15 MAX. 3. MACHINED SURFACES FINISH 1.6 RMS. 4. ALL DIMENSIONS ARE IN MILLIMETERS. 5. TOLERANCES. DECIMALS .x ±0.3 .xx ±0.2 .xxx ±0.1 ANGULAR ±5°</p>	PROJECTION	SCALE:			
			NTS			
		DRAWN:	QY		TITLE:	SF-TM-001 (SMA Female to TNC Male S/T adapter)
		CHECKED:	SK		DWG NO.	61-FMS047
APPROVED :	Cloud He	Website :	ENSmicro.com			