

NOTE

1. Specification

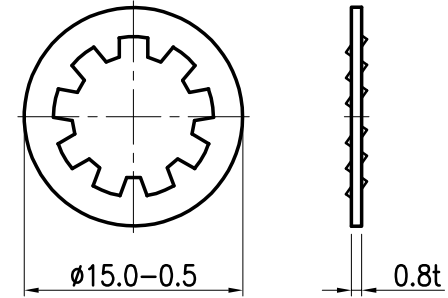
- 1.1 Frequency range : DC ~ 18GHz
- 1.2 Impedance : 50 Ohm Nom.
- 1.3 VSWR 1.15 : 1 Max.
- 1.4 Dielectric withstanding voltage : 750V rms
- 1.5 Working voltage : 250V rms
- 1.6 Mating : 500 Cycle Min.
- 1.7 Insulation resistance : 5000MΩ Min.
- 1.8 Operating temperature : -45°C ~ 125°C

2. Material and Finish

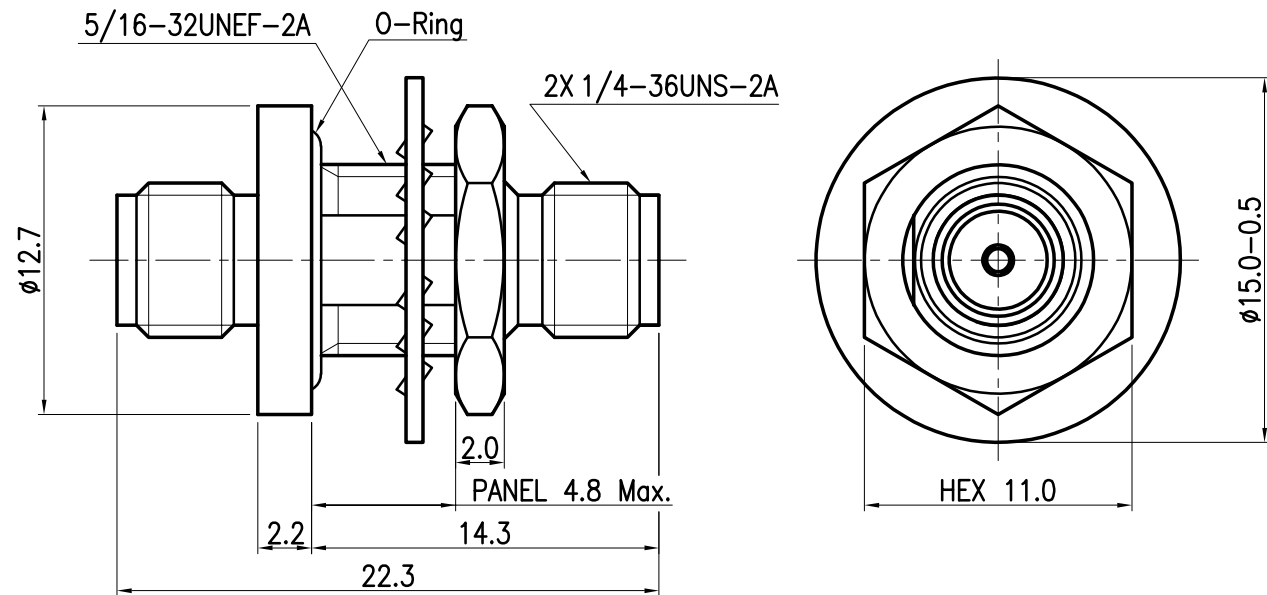
- 2.1 Body, Hex nut : Passivated Stainless steel
- 2.2 Center contact : 1.27μm thick. Gold plated Beryllium-copper
- 2.3 Lock washer : Passivated Stainless steel
- 2.4 O-Ring : Silicone rubber

3. 2011/65/EU(RoHS) compliant

REV	DESCRIPTION	DATE	ECO	APPR



LOCK WASHER



UNLESS OTHERWISE SPECIFIED, DIMENSIONS ARE IN MILLIMETERS AND TOLERANCES ARE:

1 PLACE DECIMAL ± 0.20 mm 2 PLACE DECIMAL ± 0.10 mm ANGLES ± 1° 1.6a

REMOVE BURRS. BREAK SHARP EDGES



MATERIAL SEE PART LIST	DRAWN DATE 2016. 2.29	TITLE IN-SERIES ADAPTOR SMA FEMALE TO SMA FEMALE BULKHEAD WITH O-RING	SCALE N/A	SHEET 1 of 1
FINISH SEE PART LIST	ENGINEER DATE	DRAWING No. SMA3403-510-430	REV. A	
REFERENCE	APPROVED DATE 2016. 2.29			
CAD FILE CAD:/CONNECTOR/SMA		DWG SIZE A4		