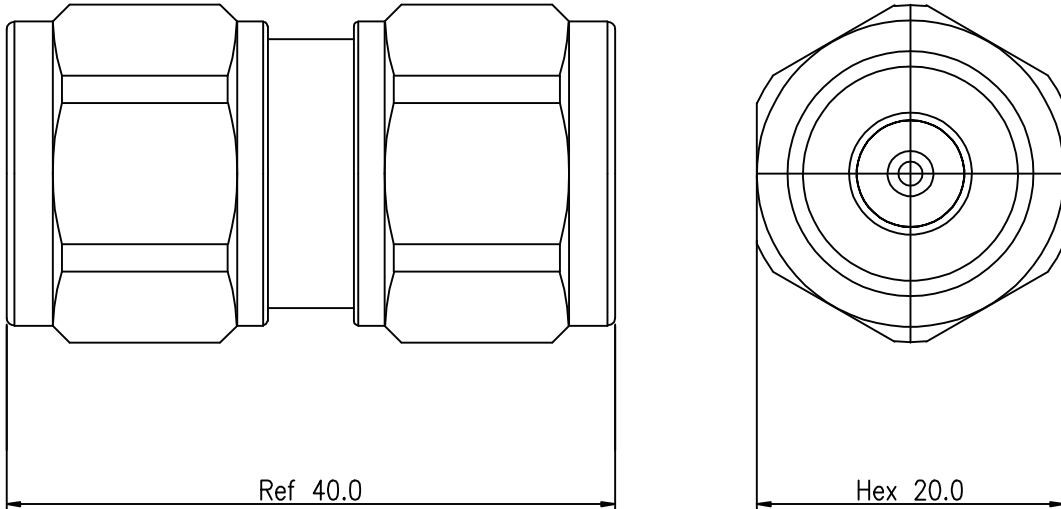
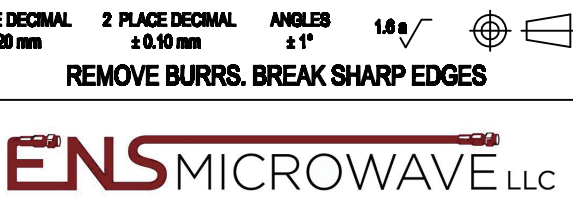


1	2	3	4	5	6											
<p>Note.</p> <p>1. Specification</p> <p>1.1 Frequency : 690MHz ~ 2800MHz</p> <p>1.2 PIM : -165dBc max with 2 x 20W tones @ room temp</p> <p>1.3 Impedance : 50 Ohm nom</p> <p>1.4 Return Loss : 20dB min</p> <p>2. Material and Finish</p> <p>2.1 Body : Tri-Alloy Plated Brass</p> <p>2.2 Pin : Silver plated Brass</p> <p>2.3 INSULATOR : PTFE</p> <p>2.4 Coupling Nut : Tri-Alloy Plated Brass</p> <p>3. 2002/95/EC(RoHS) compliant</p>			<table border="1"> <thead> <tr> <th>REV</th> <th>DESCRIPTION</th> <th>DATE</th> <th>ECO</th> <th>APPR</th> </tr> </thead> <tbody> <tr> <td> </td> <td> </td> <td> </td> <td> </td> <td> </td> </tr> </tbody> </table>	REV	DESCRIPTION	DATE	ECO	APPR								
REV	DESCRIPTION	DATE	ECO	APPR												
																
<p>UNLESS OTHERWISE SPECIFIED, DIMENSIONS ARE IN MILLIMETERS AND TOLERANCES ARE ;</p> <p>1 PLACE DECIMAL ± 0.20 mm 2 PLACE DECIMAL ± 0.10 mm ANGLES ± 1° 1.6 a</p> <p>REMOVE BURRS. BREAK SHARP EDGES</p> 			<p>MATERIAL</p> <p>See Note 2</p> <p>FINISH</p> <p>See Note 2</p> <p>REFERENCE</p>	<p>DRAWN</p> <p>DATE</p> <p>2013.12.06</p> <p>ENGINEER</p> <p>DATE</p> <p>APPROVED</p> <p>DATE</p> <p>CAD FILE</p> <p>CAD:/PIMD_TEST/</p>	<p>TITLE</p> <p>ADAPTOR</p> <p>PIMD</p> <p>N Male to N Male</p> <p>Straight Type</p> <p>DWG SIZE</p> <p>A4</p>	<p>SCALE</p> <p>N/A</p> <p>DRAWING No.</p> <p>DWPIM-AD-NMNM</p>	<p>SHEET</p> <p>1 of 1</p> <p>REV.</p> <p>A</p>									
1	2	3	4	5	6											