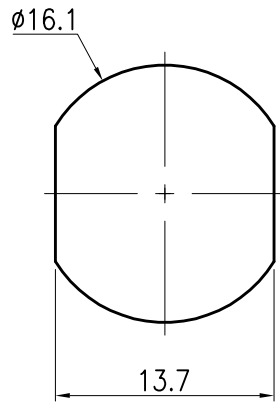
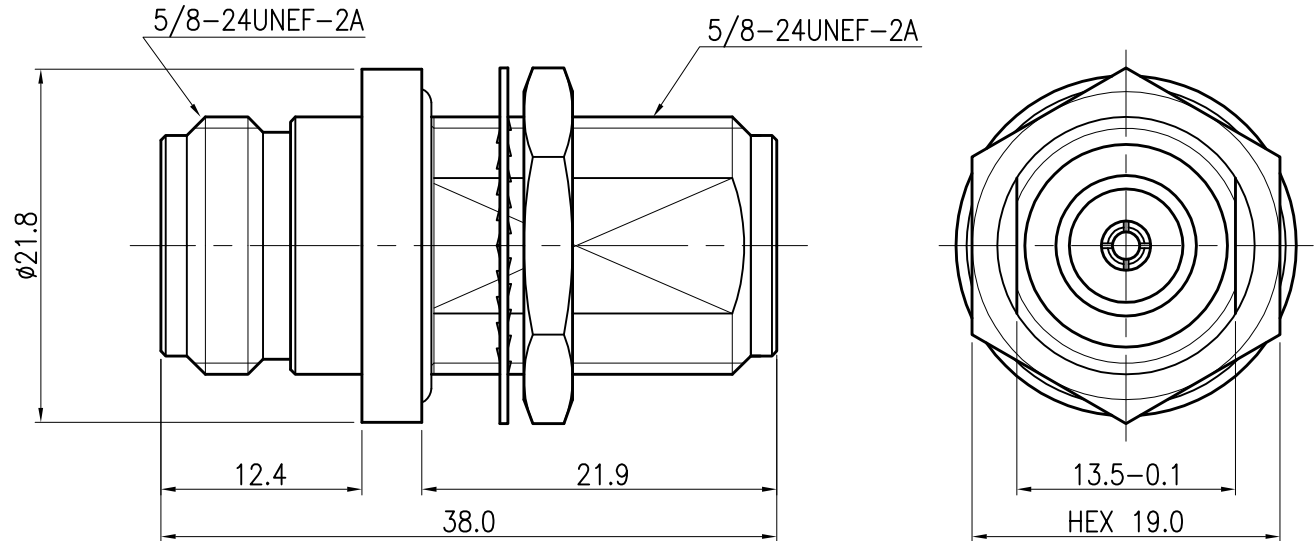


NOTE



1. Specification
 - 1.1 Frequency range : DC ~ 18GHz
 - 1.2 Impedance : 50 Ohm Nom.
 - 1.3 VSWR : 1.20 Max.
 - 1.4 Operating temperature : -45°C ~ 125°C
2. Material & Finish
 - 2.1 Body : Tri-alloy plated Brass
 - 2.2 Center contact : Gold plated Beryllium copper
 - 2.3 Insulator : PTFE
3. 2011/65/EU(RoHS) compliant



RECOMMENDED MOUNTING HOLE



UNLESS OTHERWISE SPECIFIED, DIMENSIONS ARE IN MILLIMETERS AND TOLERANCES ARE:

1 PLACE DECIMAL ± 0.20 mm 2 PLACE DECIMAL ± 0.10 mm ANGLES ± 1° 1.6a  

REMOVE BURRS. BREAK SHARP EDGES



MATERIAL	SEE NOTE 2.	DRAWN	DATE	TITLE		
FINISH	SEE NOTE 2.	ENGINEER	DATE	IN-SERISE ADAPTOR N FEMALE TO N FEMALE BULKHEAD	SCALE	SHEET
REFERENCE		APPROVED	DATE		N / A	1 of 1
		CAD FILE	DWG SIZE	DRAWING No.	REV.	
		CAD:/CONNECTOR/N	A4	N003113-310-130	X1	