

Reference standard IEC 60169-4 / MIL-STD-348A

1. Electric Performance

Impedance : 50 Ω

Frequency range : DC – 6GHz

V.S.W.R : 1.10max (0-3GHz)

1.20max (3-6GHz)

Insertion Loss : 0.10max (0-3GHz)

0.12max (3-6GHz)

PIM : -168dBc max (2x43dBm 698MHz-3000MHz)

Insulation resistance : 5,000MΩ

Proof voltage : 2,500V min

Conductor resistance : Outer conductor 0.4mΩ max

Inner conductor 0.8mΩ max

2. Mechanical Performance

Mechanical wear (hypo-) : 500

Retention : 5.88N min (7/16 type)

0.56N min (N type)

3. Material and Plating

Component	Material	Plating
Outer conductor	Brass	Ag 1.0μm -> Copper-Tin-Zinc 5μm
Inner conductor	Beryllium copper	Ag 5 μm
Insulation	PTFE	

4. Environment

Temp. range : -55°C ~ +155°C

Thermal shock : US MIL-STD 202. Meth.107, Cond B

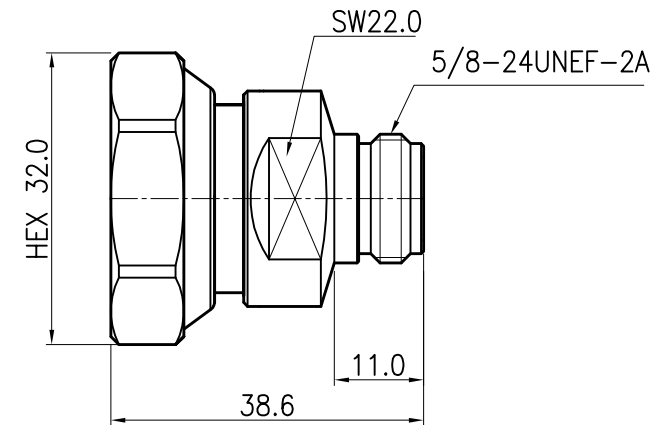
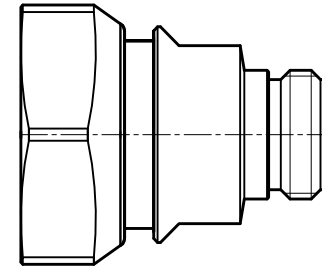
Vibration : US MIL-STD 202. Meth.204, Cond B

Shock : US MIL-STD 202. Meth.213, Cond I

RoHS compliant : Directive (EU) 2015/863

5. Packaging : Individually pack in Plastic Bag and Small White Box Labels “xxx” on bag and small white box.

REV	DESCRIPTION	DATE	ECO	APPR
A	Register drawing	19.10.11		<i>Patrick, Cho</i>



UNLESS OTHERWISE SPECIFIED, DIMENSIONS ARE IN MILLIMETERS AND TOLERANCES

±0.20 mm	±0.10 mm	±1°	1.6 a		
----------	----------	-----	-------	--	--

REMOVE BURRS. BREAK SHARP EDGES



MATERIAL SEE NOTE 3.	DRAWN <i>Sly Choi</i>	DATE 2019.10.11	TITLE BETWEEN ADAPTOR PIMD 7/16 MALE TO N FEMALE		SCALE N.S		SHEET 1 of 1	
	FINISH SEE NOTE 3.	ENGINEER <i>JH Park</i>			DATE 2019.10.11	DRAWING No. AD33711-N02-001		REV. A
REFERENCE	APPROVED <i>Patrick, Cho</i>	DATE 2019.10.11	CAD FILE CAD:/ADAPTOR/7_16 DIN TO N		DWG SIZE A4			