

REV	DESCRIPTION	DATE	ECO	APPR
A	Register drawing	19.10.11		<i>Patrick, Cho</i>

Reference standard IEC 60169-4

1. Electric Performance

Impedance : 50 Ω

Frequency range : DC – 6GHz

V.S.W.R : 1.10max (0-3GHz)

1.20max (3-6GHz)

Insertion Loss : 0.05max (0-3GHz)

0.15max (3-6GHz)

PIM : -125dBm (2x43dBm 697MHz-3000MHz)

Insulation resistance : 5,000MΩ

Proof voltage : 4,000V min

Conductor resistance : Outer conductor 0.2mΩ max

Inner conductor 0.8mΩ max

2. Mechanical Performance

Retention : 5.88N min

Mechanical wear (hypo-) : 500

Whorl pull : 500N

3. Material and Plating

Component	Material	Plating
Outer conductor	Brass	Copper-Tin-Zinc 5μm
Inner conductor	Beryllium copper	Ag 5 μm
Insulation	PTFE	

4. Environment

Temp. range : -55°C ~ +155°C

Thermal shock : US MIL-STD 202. Meth.107, Cond B

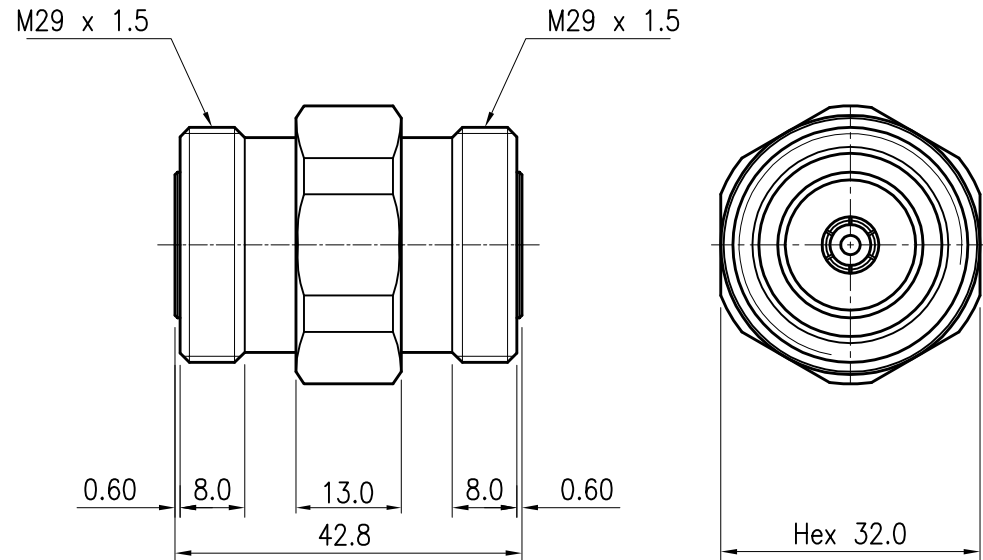
Vibration : US MIL-STD 202. Meth.204, Cond B

Shock : US MIL-STD 202. Meth.213, Cond I

RoHS compliant : Directive (EU) 2015/863

5. Packaging : Individually pack in Plastic Bag and Small White Box

Labels "xxx" on bag and small white box.



UNLESS OTHERWISE SPECIFIED, DIMENSIONS ARE IN MILLIMETERS AND TOLERANCES ARE :

1 PLACE DECIMAL ± 0.20 mm	2 PLACE DECIMAL ± 0.10 mm	ANGLES ± 1°	1.6 a		
------------------------------	------------------------------	----------------	-------	--	--

REMOVE BURRS. BREAK SHARP EDGES

ENS MICROWAVE LLC

MATERIAL SEE NOTE 3.	DRAWN <i>Sy_Choi</i>	DATE 2019.10.11	TITLE IN-SERIES ADAPTOR 7/16 FEMALE TO 7/16 FEMALE		SCALE N.S		SHEET 1 of 1	
FINISH SEE NOTE 3.	ENGINEER <i>JH_Park</i>	DATE 2019.10.11			DRAWING No. 7163102-320-130		REV. A	
REFERENCE	APPROVED <i>Patrick, Cho</i>	DATE 2019.10.11			DWG SIZE A4			
CAD FILE CAD:/CONNECTOR/7_16 DIN								