

Specification

1. Electrical data

- 1.1 Impedance : 50 Ohm Nom.
- 1.2 Frequency range : DC ~ 34GHz
- 1.3 VSWR : 1.15 Max.

2. Mechanical data

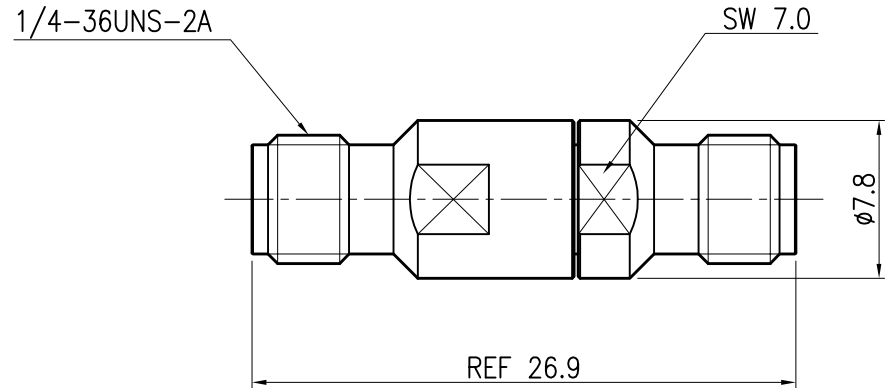
- 2.1 Durability : 500 cycles Min.
- 2.2 Temperature range : -45°C ~ 85°C

3. Material and Finish

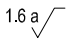

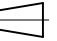
- 3.1 Body : Passivated Stainless steel
- 3.2 Center Contact : Gold plated Beryllium-copper
- 3.3 Insulator : Ultem-1000

4. 2011/65/EU(RoHS) compliant

REV	DESCRIPTION	DATE	ECO	APPR
A	Register drawing	16. 7.13		



UNLESS OTHERWISE SPECIFIED, DIMENSIONS ARE IN MILLIMETERS AND TOLERANCES ARE :

1 PLACE DECIMAL ± 0.20 mm    2 PLACE DECIMAL ± 0.10 mm    ANGLES ± 1°    1.6a   

REMOVE BURRS. BREAK SHARP EDGES



MATERIAL	DRAWN	DATE	TITLE		
SEE PART LIST		2016. 7.13	ADAPTOR 3.5mm FEMALE TO 3.5mm FEMALE		
FINISH	ENGINEER	DATE		SCALE	SHEET
SEE PART LIST			N / A	1 of 1	
REFERENCE	APPROVED	DATE			
		2016. 7.13			
CAD FILE			DWG SIZE	DRAWING No.	REV.
CAD:/ADAPTOR/3.5mm TO 3.5mm			A4	AD31003-352-352	A