

NOTE

1. Specification

- 1.1 Frequency range : DC ~ 18GHz
- 1.2 Impedance : 50 Ohm Nom.
- 1.3 VSWR : 1.15 Max(6GHz) / 1.30 Max(18GHz)
- 1.4 Insertion Loss : $0.05 \times \sqrt{f(\text{GHz})}$
- 1.5 Dielectric withstanding voltage : 750V rms
- 1.6 Working voltage : 250V rms
- 1.7 Mating : 500 Cycle Min.
- 1.8 Insulation resistance : 5000M Ω Min.
- 1.9 Operating temperature : -45°C ~ 125°C

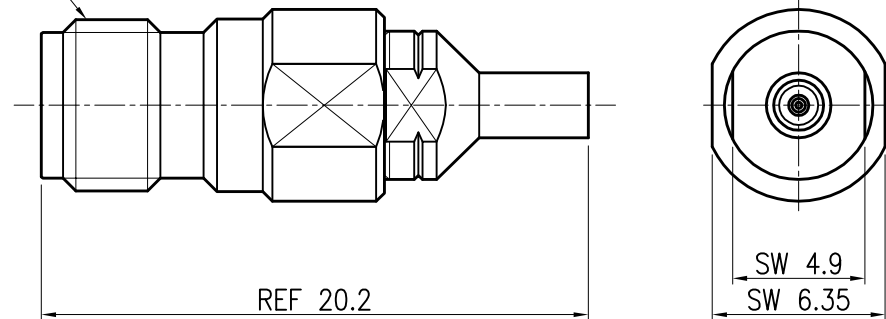
2. Material and Finish

- 2.1 Body : Passivated Stainless steel
- 2.2 Center contact : Gold plated Beryllium copper
- 2.3 Insulator(A) : ULTEM-1000
- 2.4 Insulator(B) : PTFE


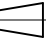
3. RoHs Compliance : Directive (EU) 2015/863

REV	DESCRIPTION	DATE	ECO	APPR
A	Register drawing	21. 3.31		<i>Patrick, Cho</i>

1/4-36UNS-2A



UNLESS OTHERWISE SPECIFIED, DIMENSIONS ARE IN MILLIMETERS AND TOLERANCES ARE :

1 PLACE DECIMAL ± 0.20 mm 2 PLACE DECIMAL ± 0.10 mm ANGLES ± 1° 1.6a  

REMOVE BURRS. BREAK SHARP EDGES



MATERIAL	SEE NOTE 2.	DRAWN	<i>Sy_Choi</i>	DATE	2021. 3. 31	TITLE BETWEEN ADAPTOR 2.92mm FEMALE TO SMPS MALE	SCALE		SHEET	
FINISH	SEE NOTE 2.	ENGINEER		DATE			N.S	1 of 1		
REFERENCE		APPROVED	<i>Patrick, Cho</i>	DATE	2021. 3. 31		DRAWING No.		REV.	
		CAD FILE			DWG SIZE	DRAWING No.		REV.		
		CAD:/ADAPTOR/2.92mm TO SMPS			A4	AD33090-292-PS1		A		