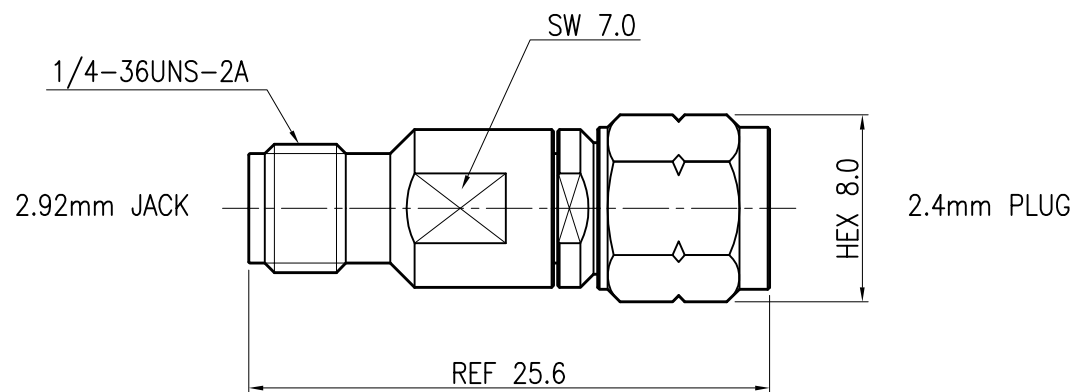


REV	DESCRIPTION	DATE	ECO	APPR
A	Register drawing	16. 7.13		
B	Changed Shape Coupling nut	16. 8.08		

Specification

1. Electrical data
 - 1.1 Impedance : 50 Ohm Nom.
 - 1.2 Frequency range : DC ~ 40GHz
 - 1.3 VSWR : 1.15 Max.
2. Mechanical data
 - 2.1 Durability : 500 cycles Min.
 - 2.2 Temperature range : -45°C ~ 85°C
3. Material and Finish
 - 3.1 Body : Passivated Stainless steel
 - 3.2 Center Contact : Gold plated Beryllium-copper
 - 3.3 Insulator : Ultem-1000
 - 3.4 Coupling nut : Passivated Stainless steel
 - 3.5 Lock ring : Passivated STainless steel
4. 2011/65/EU(RoHS) compliant



UNLESS OTHERWISE SPECIFIED, DIMENSIONS ARE IN MILLIMETERS AND TOLERANCES ARE :

1 PLACE DECIMAL ±0.20 mm 2 PLACE DECIMAL ±0.10 mm ANGLES ±1° 1.6a

REMOVE BURRS. BREAK SHARP EDGES



MATERIAL	DRAWN	DATE	TITLE		
SEE PART LIST		2016. 7.13	BETWEEN ADAPTOR 2.92mm FEMALE TO 2.4mm MALE		
FINISH	ENGINEER	DATE		SCALE	SHEET
SEE PART LIST			N / A	1 of 1	
REFERENCE	APPROVED	DATE	DRAWING No.		REV.
		2016. 7.13	AD33012-292-241		B
	CAD FILE	DWG SIZE	DRAWING No.		REV.
	CAD:/ADAPTOR/2.92mm TO 2.4mm	A4	AD33012-292-241		B