

Specification

1. Electrical data

- 1.1 Impedance : 50 Ohm Nom.
- 1.2 Frequency range : DC ~ 40GHz
- 1.3 VSWR : 1.15 Max.

2. Mechanical data

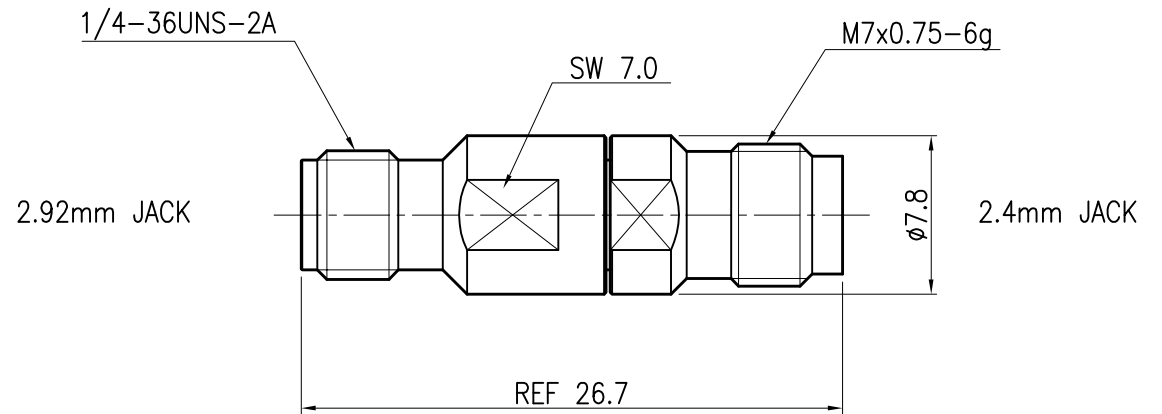
- 2.1 Durability : 500 cycles Min.
- 2.2 Temperature range : -45°C ~ 85°C

3. Material and Finish



- 3.1 Body : Passivated Stainless steel
- 3.2 Center Contact : Gold plated Beryllium-copper
- 3.3 Insulator : Ultem-1000

4. 2011/65/EU(RoHS) compliant

REV	DESCRIPTION	DATE	ECO	APPR
A	Register drawing	16. 7.13		



UNLESS OTHERWISE SPECIFIED, DIMENSIONS ARE IN MILLIMETERS AND TOLERANCES ARE :

1 PLACE DECIMAL ± 0.20 mm 2 PLACE DECIMAL ± 0.10 mm ANGLES ± 1° 1.6a  

REMOVE BURRS. BREAK SHARP EDGES



MATERIAL	DRAWN	DATE	TITLE		
SEE PART LIST		2016. 7.13	BETWEEN ADAPTOR 2.92mm FEMALE TO 2.4mm FEMALE		
FINISH	ENGINEER	DATE		SCALE	SHEET
SEE PART LIST			N / A	1 of 1	
REFERENCE	APPROVED	DATE			
		2016. 7.13			
CAD FILE		DWG SIZE	DRAWING No.	REV.	
CAD:/ADAPTOR/2.92mm TO 2.4mm		A4	AD31006-292-242	A	