

A

B

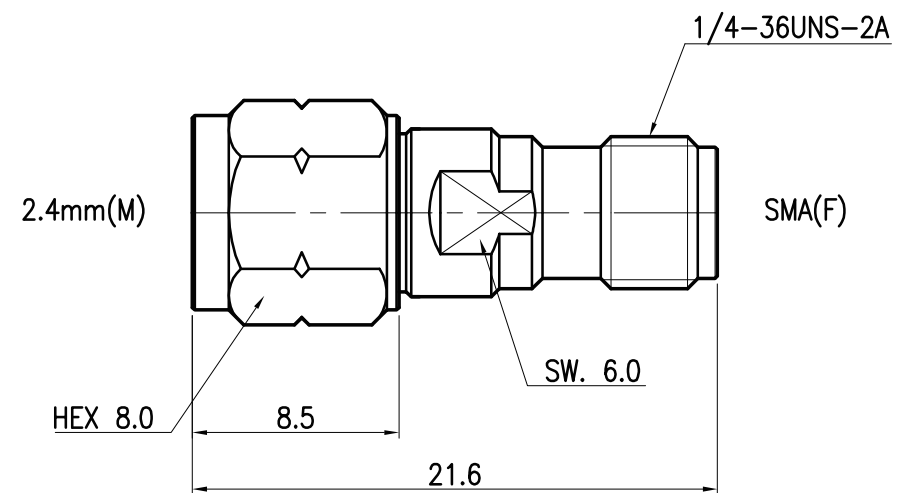
C

D

REV	DESCRIPTION	DATE	ECO	APPR
A	Register drawing	20. 7.01		

NOTE

1. Specification
  - 1.1 Frequency range : DC ~ 18GHz
  - 1.2 Impedance : 50 Ohm Nom.
  - 1.3 VSWR : 1.20 Max.
  - 1.4 Operating temperature : -45°C ~ 125°C
2. Material and Finish
  - 2.1 Center contact : Gold plated Beryllium-copper
  - 2.2 Body, Coupling nut, Lock ring : Passivated Stainless-steel
  - 2.3 Insulator : PTFE
  - 2.4 Gasket : Silicone rubber
3. RoHs Compliance : Directive (EU) 2015/863



UNLESS OTHERWISE SPECIFIED, DIMENSIONS ARE IN MILLIMETERS AND TOLERANCES ARE :

1 PLACE DECIMAL ± 0.20 mm	2 PLACE DECIMAL ± 0.10 mm	ANGLES ± 1°	1.6 a		
------------------------------	------------------------------	----------------	-------	--	--

REMOVE BURRS. BREAK SHARP EDGES



MATERIAL SEE NOTE 2.	DRAWN DATE 2020. 7. 01	TITLE BETWEEN ADAPTOR 2.4mm MALE TO SMA FEMALE	SCALE N.S			SHEET 1 of 1
FINISH SEE NOTE 2.	ENGINEER DATE 2020. 7. 01		DRAWING No. AD33074-241-A02			
REFERENCE	APPROVED DATE 2020. 7. 01		DWG SIZE A4	REV. A		
CAD FILE CAD:/ADAPTOR/2.4mm TO SMA						

1 2 3 4 5 6