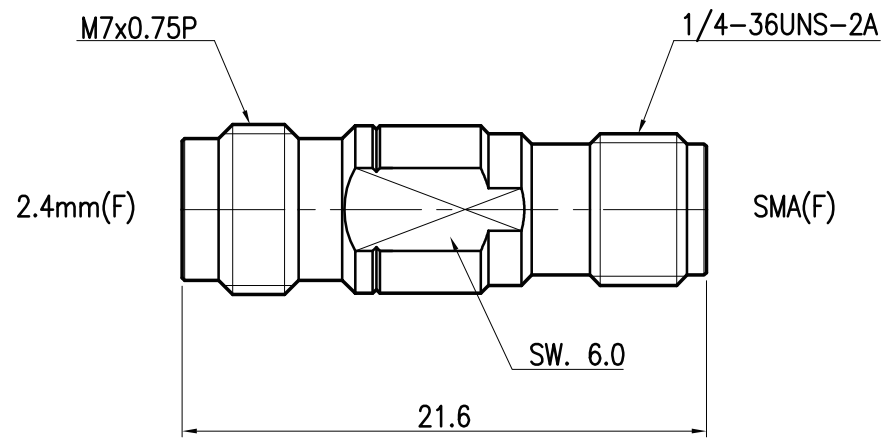


REV	DESCRIPTION	DATE	ECO	APPR

NOTE

1. Specification
 - 1.1 Frequency range : DC ~ 18GHz
 - 1.2 Impedance : 50 Ohm Nom.
 - 1.3 VSWR : 1.20 Max.
 - 1.4 Operating temperature : -45°C ~ 125°C
2. Material and Finish
 - 2.1 Center contact : Gold plated Beryllium-copper
 - 2.2 Body : Passivated Stainless steel
 - 2.3 Insulator : PTFE
3. RoHs Compliance : Directive (EU) 2015/863



UNLESS OTHERWISE SPECIFIED, DIMENSIONS ARE IN MILLIMETERS AND TOLERANCES ARE:

1 PLACE DECIMAL ± 0.20 mm	2 PLACE DECIMAL ± 0.10 mm	ANGLES ± 1°	1.6 a		
------------------------------	------------------------------	----------------	-------	--	--

REMOVE BURRS. BREAK SHARP EDGES

MATERIAL
SEE NOTE 2.

FINISH
SEE NOTE 2.

REFERENCE

DRAWN
DATE
2020. 7. 01

ENGINEER
DATE
2020. 7. 01

APPROVED
DATE
2020. 7. 01

TITLE
**BETWEEN ADAPTOR
2.4mm FEMALE TO
SMA FEMALE**

SCALE
N.S

SHEET
1 of 1

CAD FILE
CAD:/ADAPTOR/2.4mm TO SMA

DWG SIZE
A4

DRAWING No.
AD31058-242-A02

REV.
A

